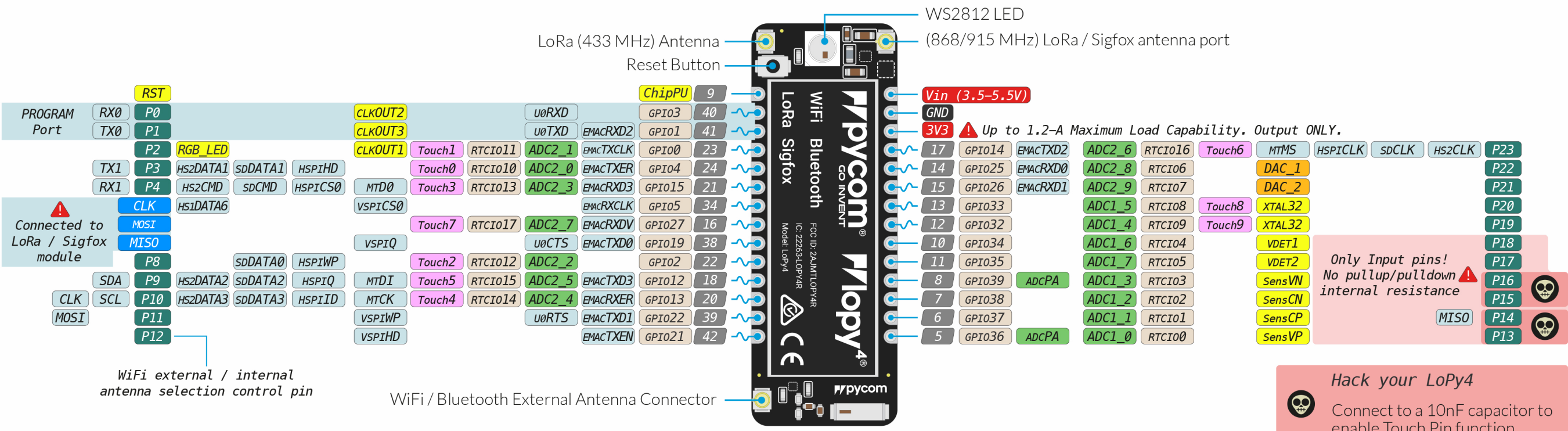


⚠ Absolute MAX per pin 12mA recommended 6mA



**Hack your LoPy4**

☠ Connect to a 10nF capacitor to enable Touch Pin function

- Power
- GND
- Serial Pin
- Analog Pin
- Control
- Physical Pin
- Port Pin
- Touch Pin
- DAC Pin
- ~ PWM Pin

**Low Level Bootloader**

■ P2 + ■ GND

**Boot modes and safe boot**

■ P12 + ■ 3V3

1-3 sec Safe boot, latest firmware is selected

4-6 sec Safe boot, previous user update selected

7-9 sec Safe boot, the factory firmware is selected

**Internal Functions**

36	GPIO23	vspiID	HS1STROBE	LoRa / Sigfox Interrupt
27	GPIO18	EMACCO180	U2TXD	LoRa / Sigfox Select